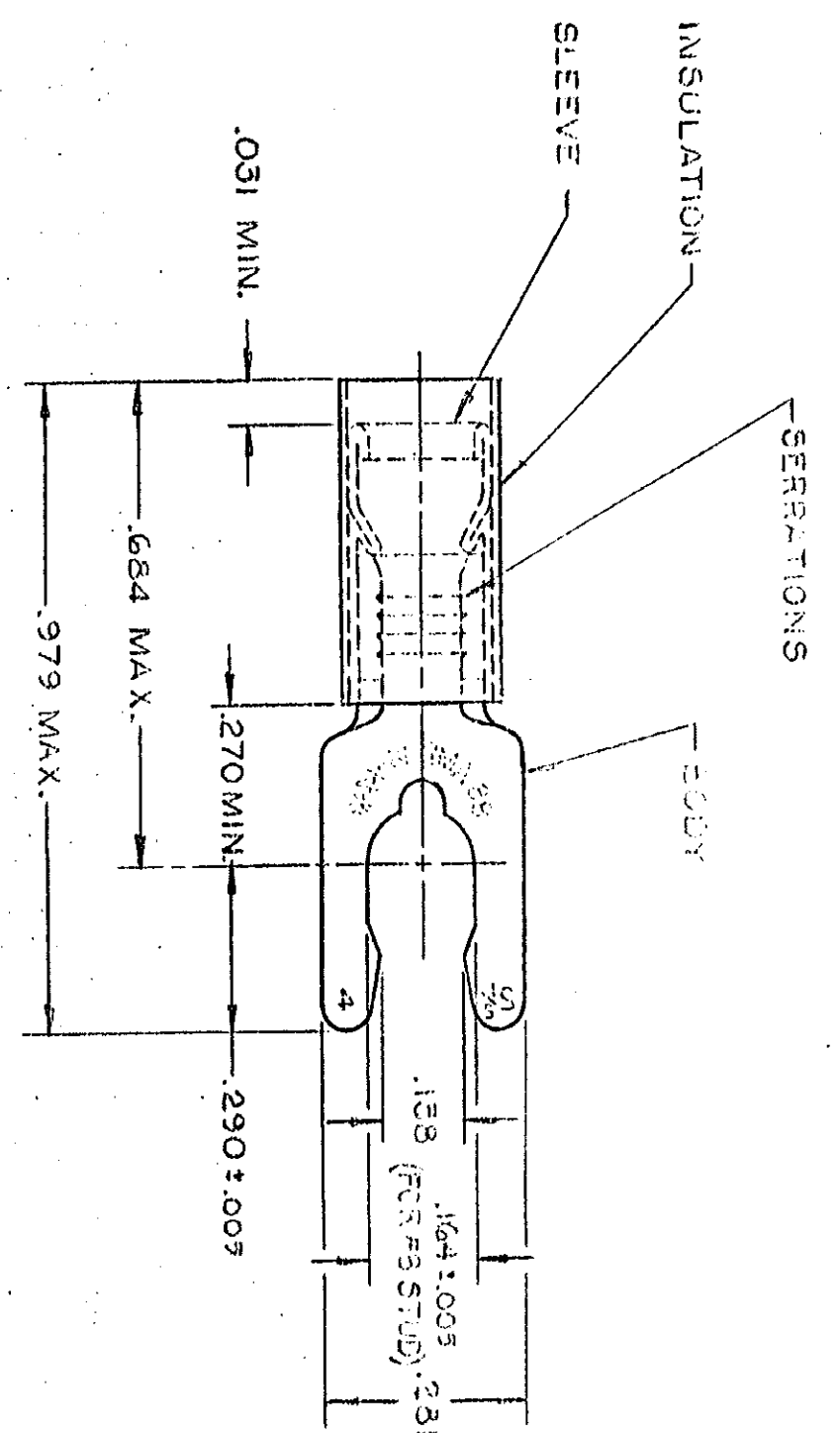


THIS DRAWING IS UNPUBLISHED. RELEASED FOR PUBLICATION
 © COPYRIGHT 19 BY AMP INCORPORATED, HARRISBURG, PA. ALL INTERNATIONAL RIGHTS RESERVED. AMP PRODUCTS MAY BE COVERED BY U.S. AND FOREIGN PATENTS AND/OR PATENTS PENDING.



- 1 WIRE INSULATION DIA. = SEE TABLE, DIMENSION
- 2 TONGUE MATERIAL THK. = .031 ± .002
- 3 BODY FINISH: TIN PLATE (MIL-T-10727) .000100 MIN THK OBSOLETE

OBSOLETE

OBSOLETE

REVISIONS						
P	F	ZONE	LTR	DESCRIPTION	DATE	APPROVED
✓	✓		D	REVISIONS	11/8/54	Jms
✓	✓		E	OBSOLETE - 4-6-57/6-23-58	6/23/57	G5
✓	✓		F	REVISED 6-30-44	4-12-44	49
✓	✓		G	0.85-2 PER 6-33-57	5/4/61	49
✓	✓		H	REV/0720-00-3-93	3-12-93	MS

DIM. IN.	QUANTITY	DESCRIPTION	PART NO.
.115-.170	100	LOOSE PC, BOX	9-52421-1
.105-.150	100	LOOSE PC, BOX	8-52421-1
.115-.170	5000	ON TAPE, REEL	52421-3
.115-.170	—	LOOSE PIECE	52421-1
.105-.150	—	LOOSE PIECE	52421

UNLESS OTHERWISE SPECIFIED DIMENSIONS ARE IN INCHES. TOLERANCES ON DECIMALS ± .005 ANGLES	
MATERIAL	INSULATION: M200 - BLUE
SLEEVE:	COPPER (QQ-C-572)
BODY:	PHOSPHOR BRONZE (QQ-B-750)

CONTRACT NO	DR UTA/RPB 1-23-58
CHK	11/27/65
APPD	11/27/65
DSGN APPD	
OTHER APPD	

NAME	AMP TERMINAL, R.I.D.G., SPRING SPADE, WIRE SIZE: 16-14		
SIZE	FSCM NO	DRAWING NO	
B	00779	52421	
SCALE	NTS	SHEET	1 OF 1

CUSTOMER DRAWING